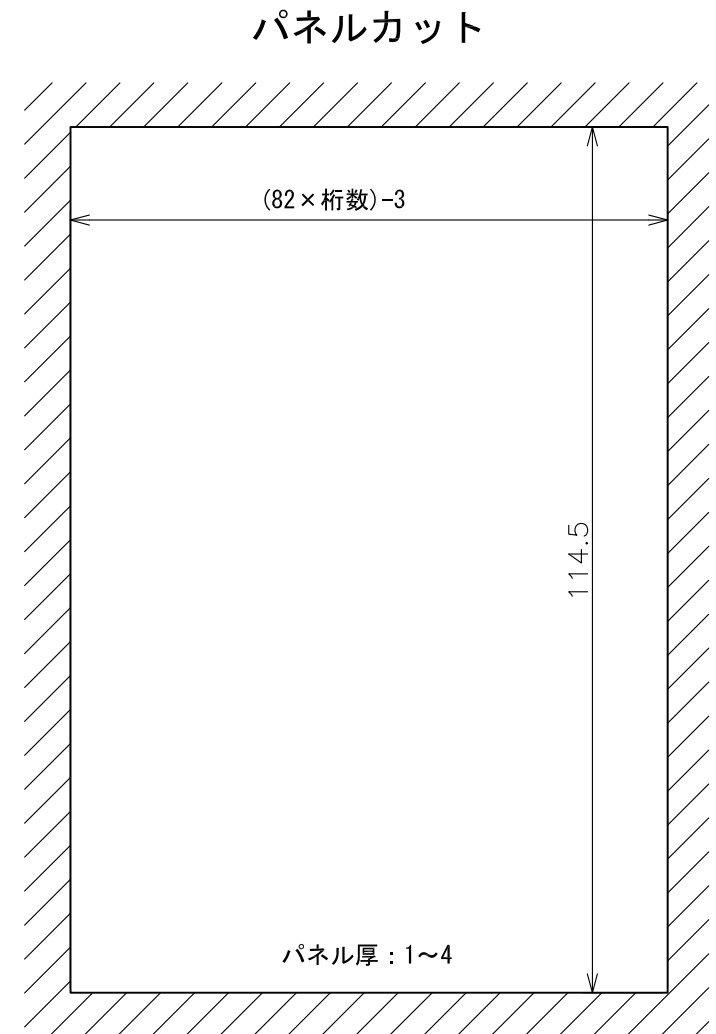
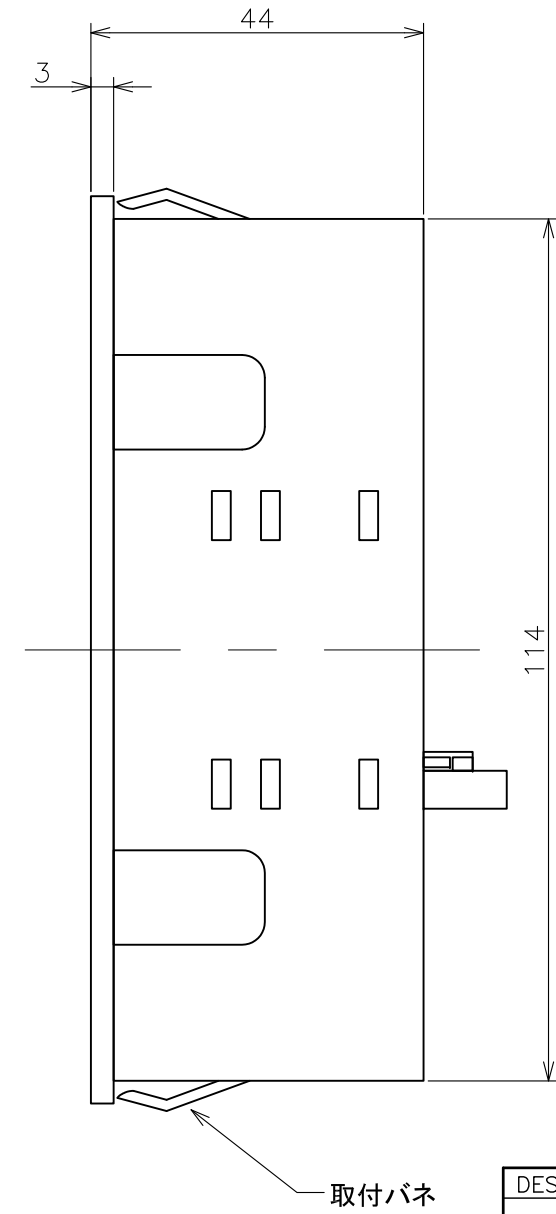
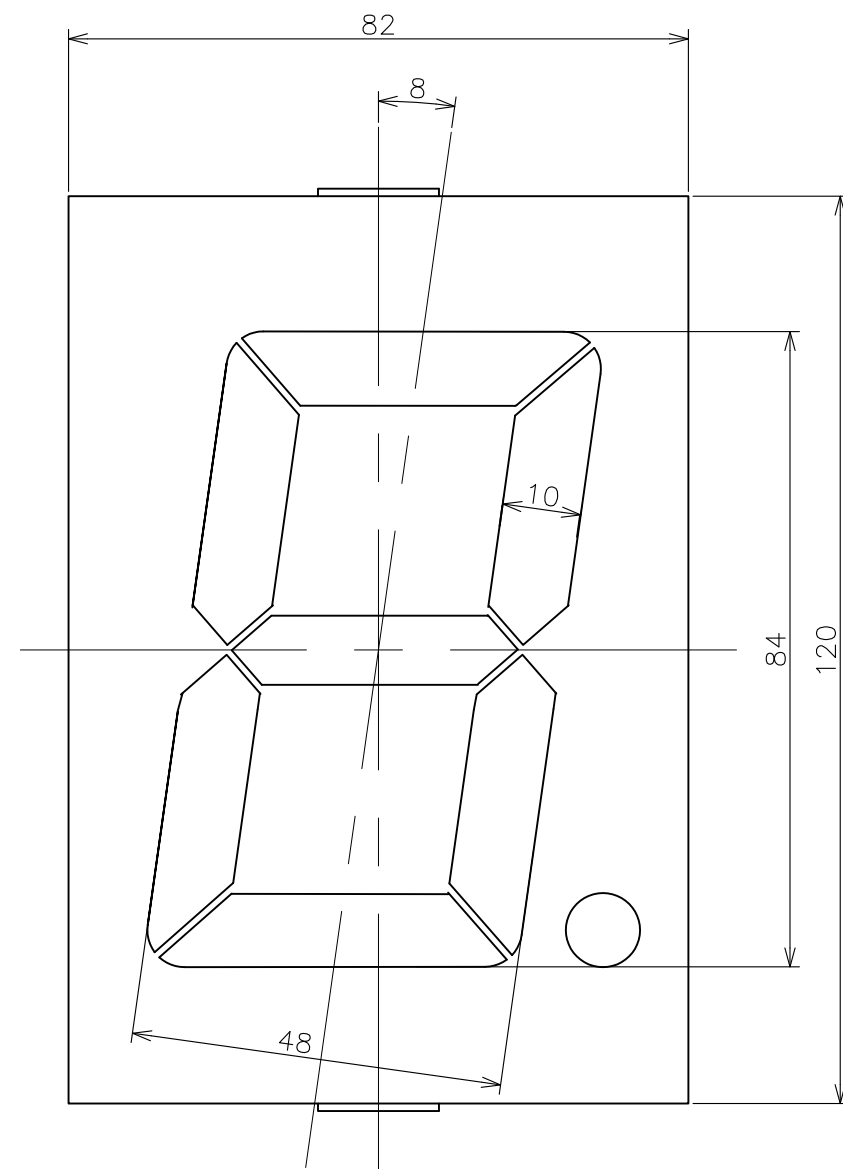
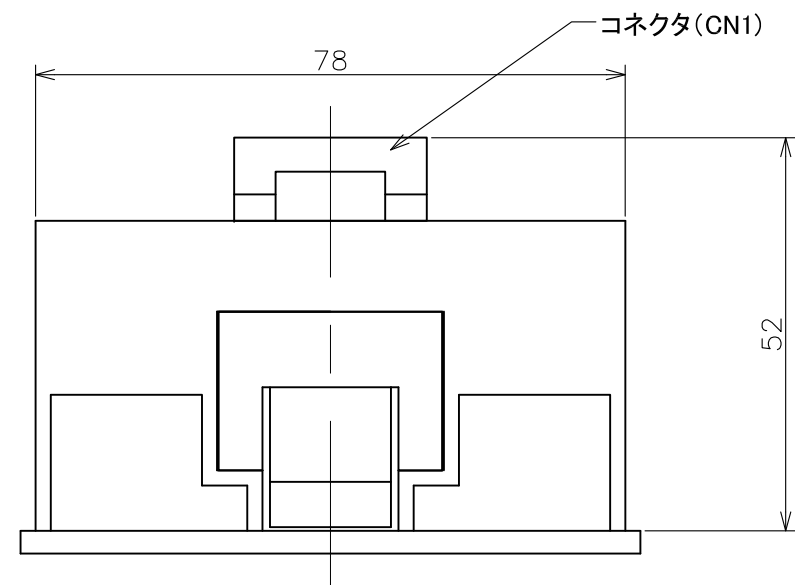


RevNO	Revisions	DATE	CHECKED



DESIGNED	CHECKED	APPROVED	SCALE	TYPE
			A3 1/1	C120-84
HENIX CORPORATION ヘニックス株式会社				TITLE 外形寸法図
				DRWN NO.