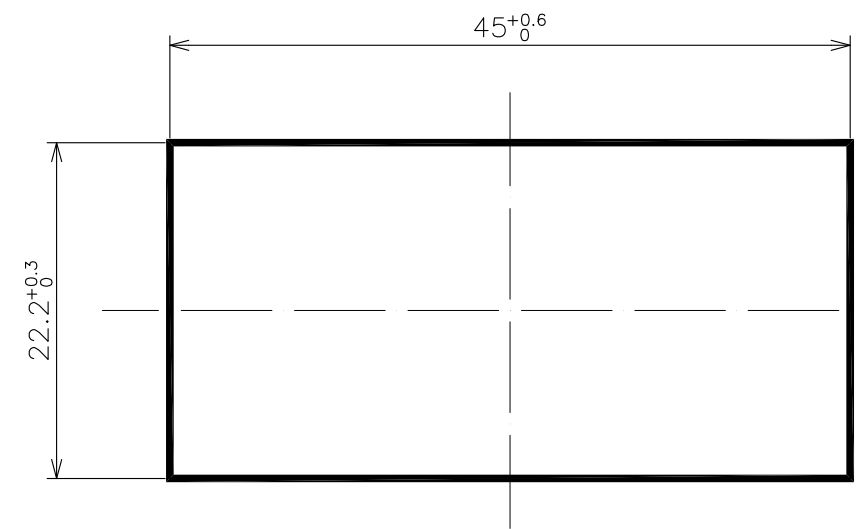
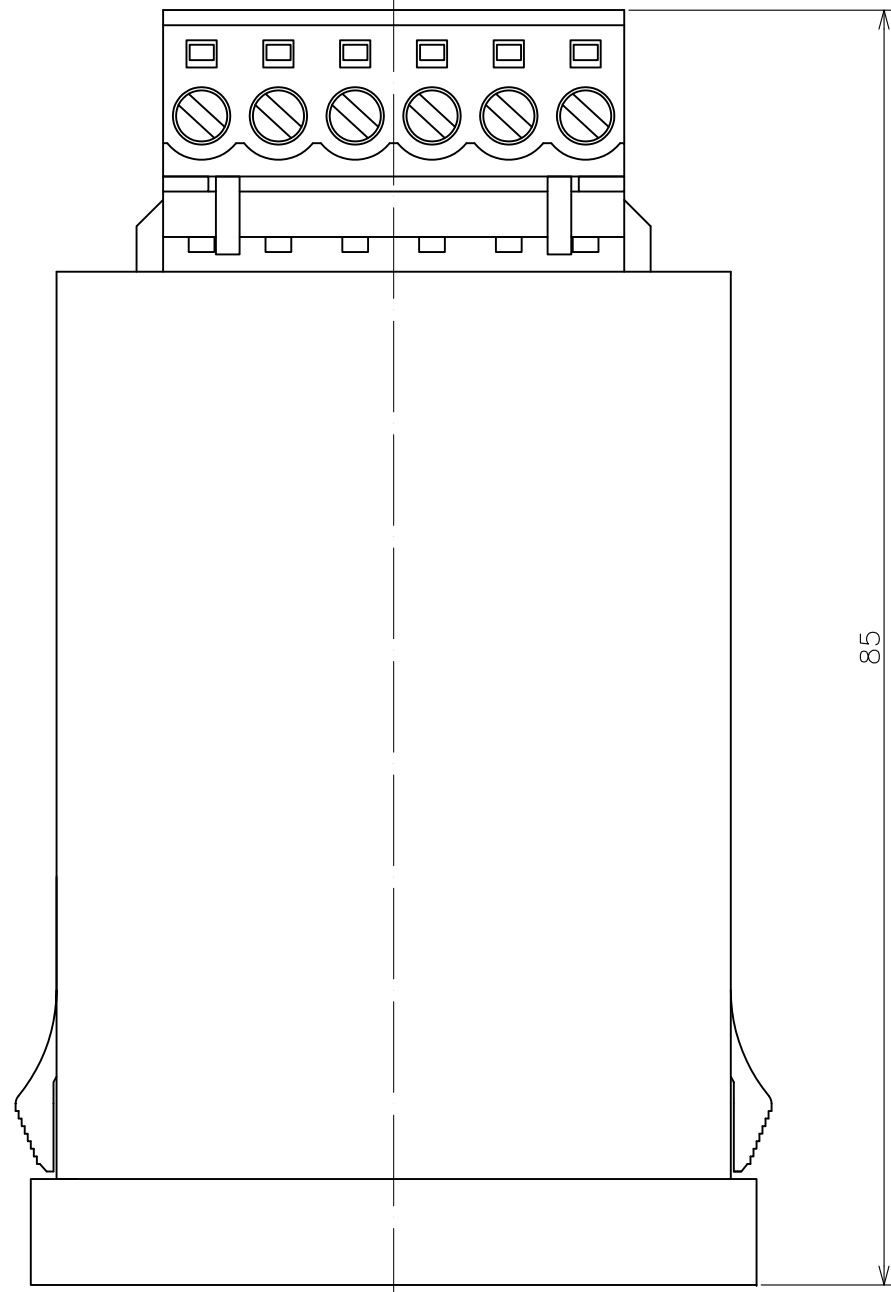
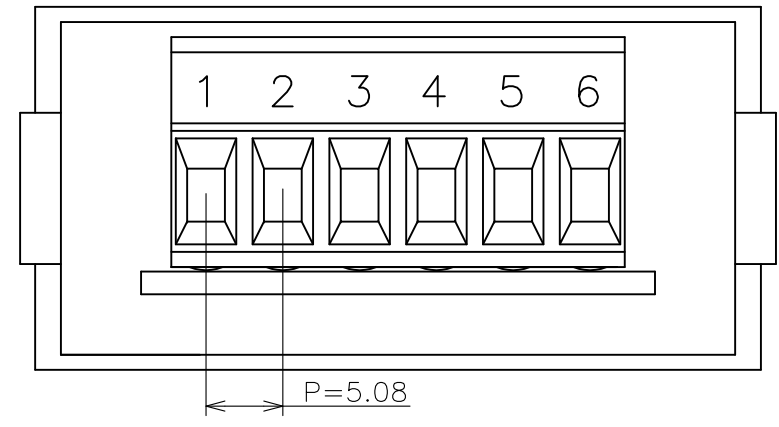


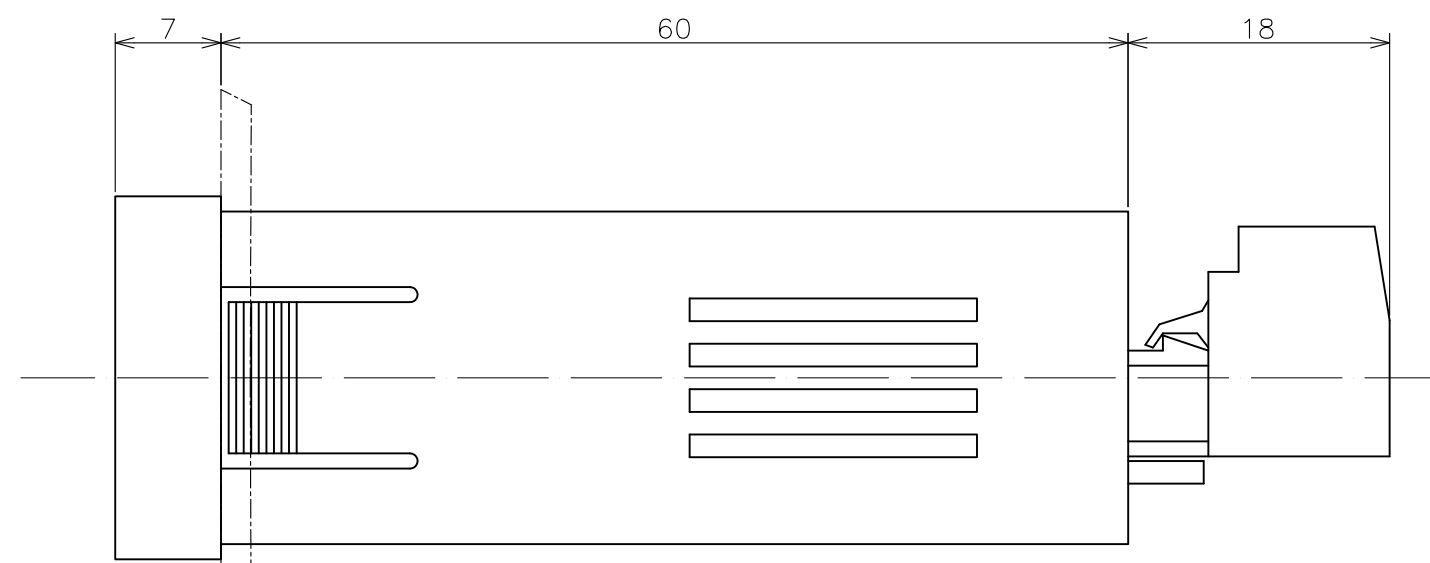
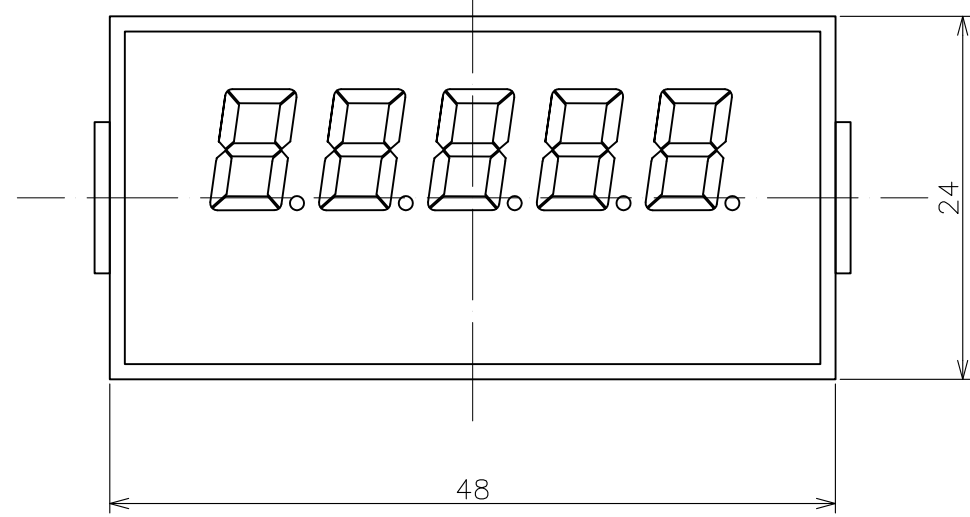
| RevNO | Revisions | DATE | CHECKED |
|-------|-----------|------|---------|
| | | | |



パネルカット
Panel cut-out dimension



後部端子
rear side (terminal part)



パネル板厚
Panel thickness 0.9-3.5

| DESIGNED | CHECKED | APPROVED | SCALE | TYPE |
|--------------------------------|---------|----------|--------|--------------------------|
| | | | A3 2/1 | H□41 series |
| HENIX CORPORATION ヘニックス株式会社 | | | | TITLE 外形寸法図 dimension |
| | | | | DRWN NO. |