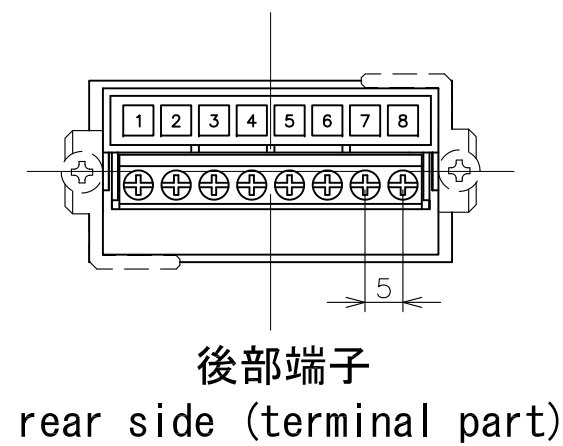
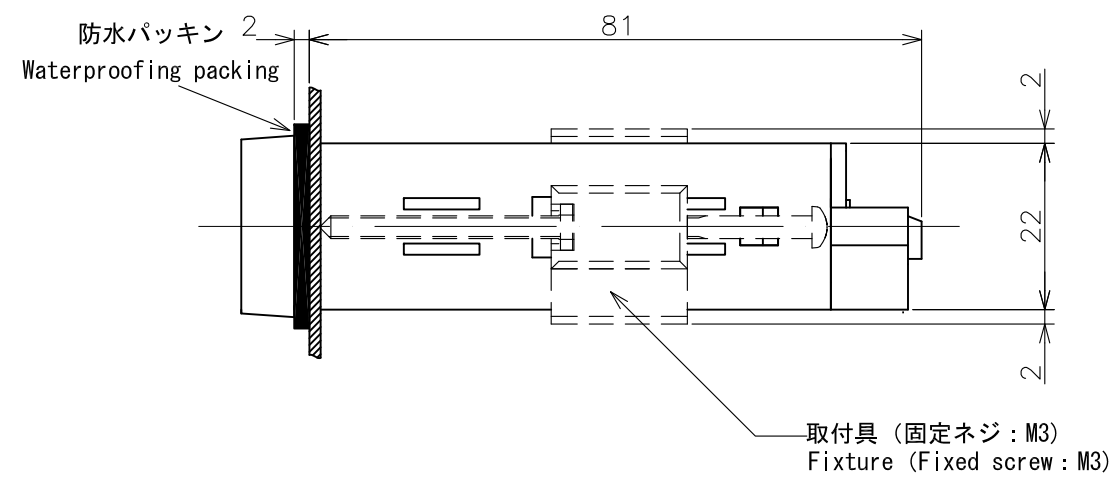
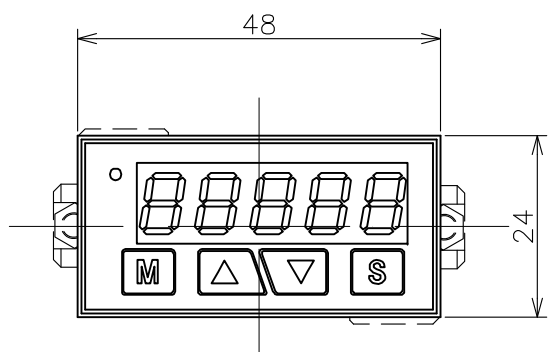
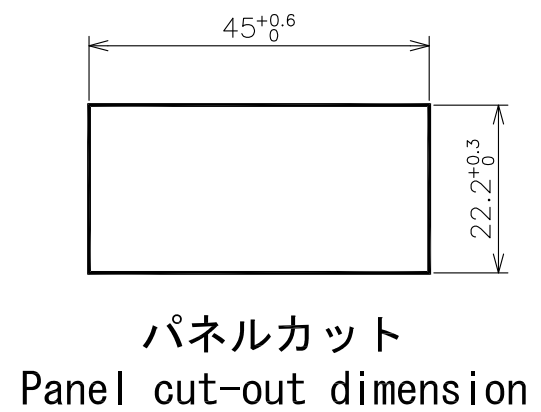
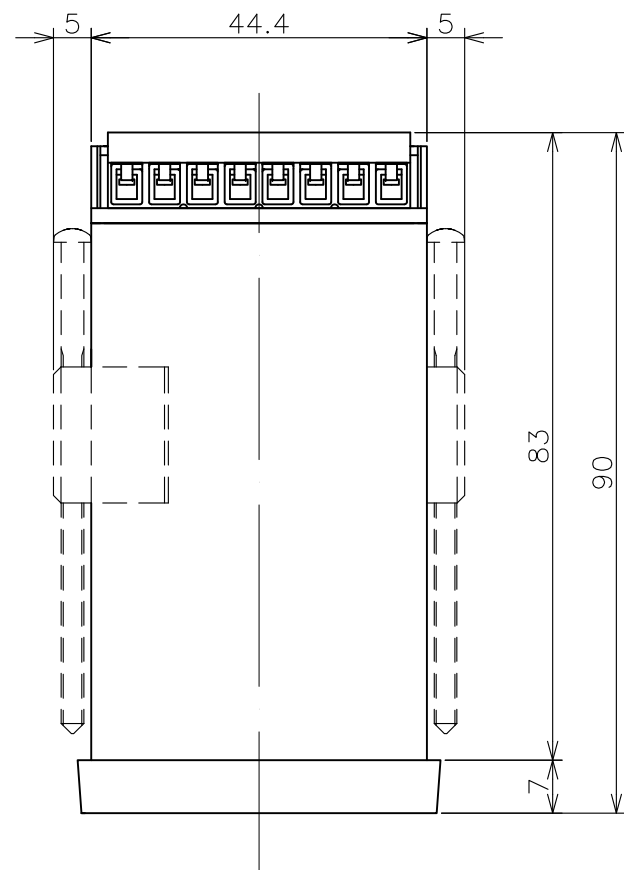


RevNO	Revisions	DATE	CHECKED



DESIGNED	CHECKED	APPROVED	SCALE	TYPE
			A3 1/1	M□41 series
HENIX CORPORATION ヘニックス株式会社				TITLE
				外形寸法図 dimension
				DRWN NO.